

YORKSHIRE
COASTAL
COTTAGES



How to make your Treasure Chest

You will need:



Scissors

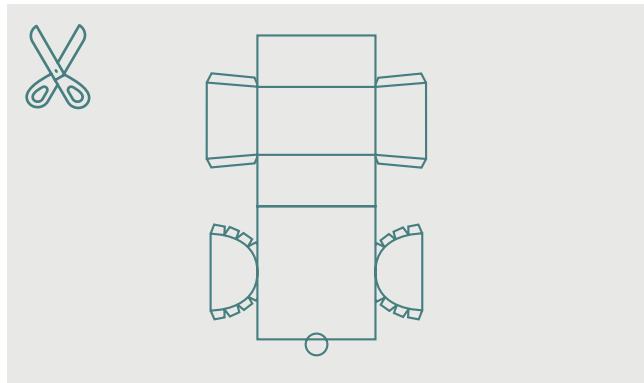


Glue stick

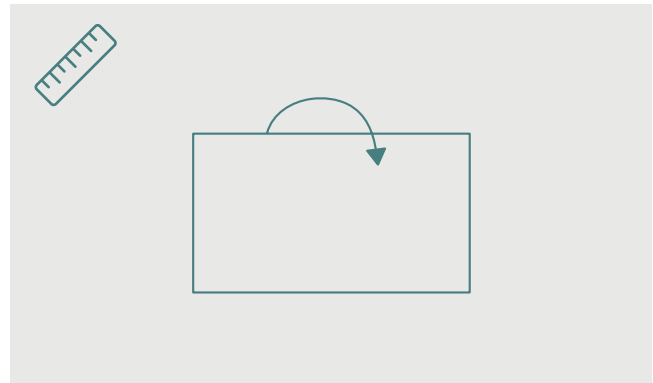


Ruler

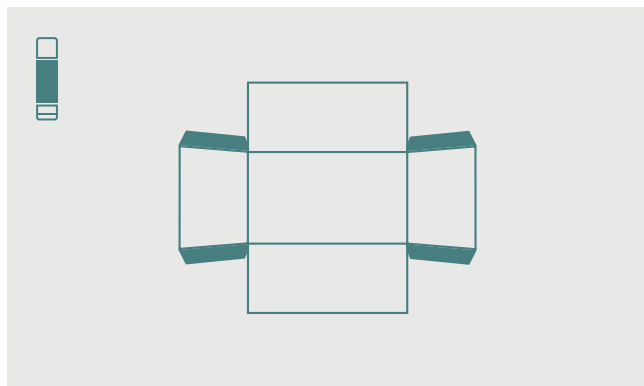
Instructions:



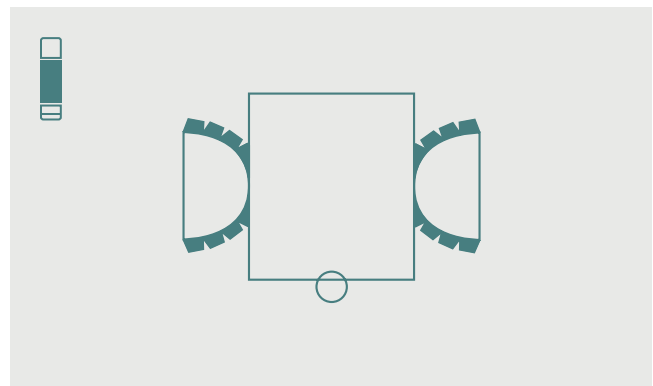
1. Cut out the template.



2. Fold each section of the template with a ruler to get the perfect folds.



3. For the base of your treasure chest, glue the flaps together on both sides.



4. For the lid of your treasure chest, glue the flaps to the lid of your template and follow the curve.